

Client Oriented

Motivation

CMW

Wisdom

CONDENSED CATALOG

CMW new technology
High quality product

西姆流体技术
高品质控制阀制造商
阀门检维修方案提供商



COMPANY INTRODUCTION

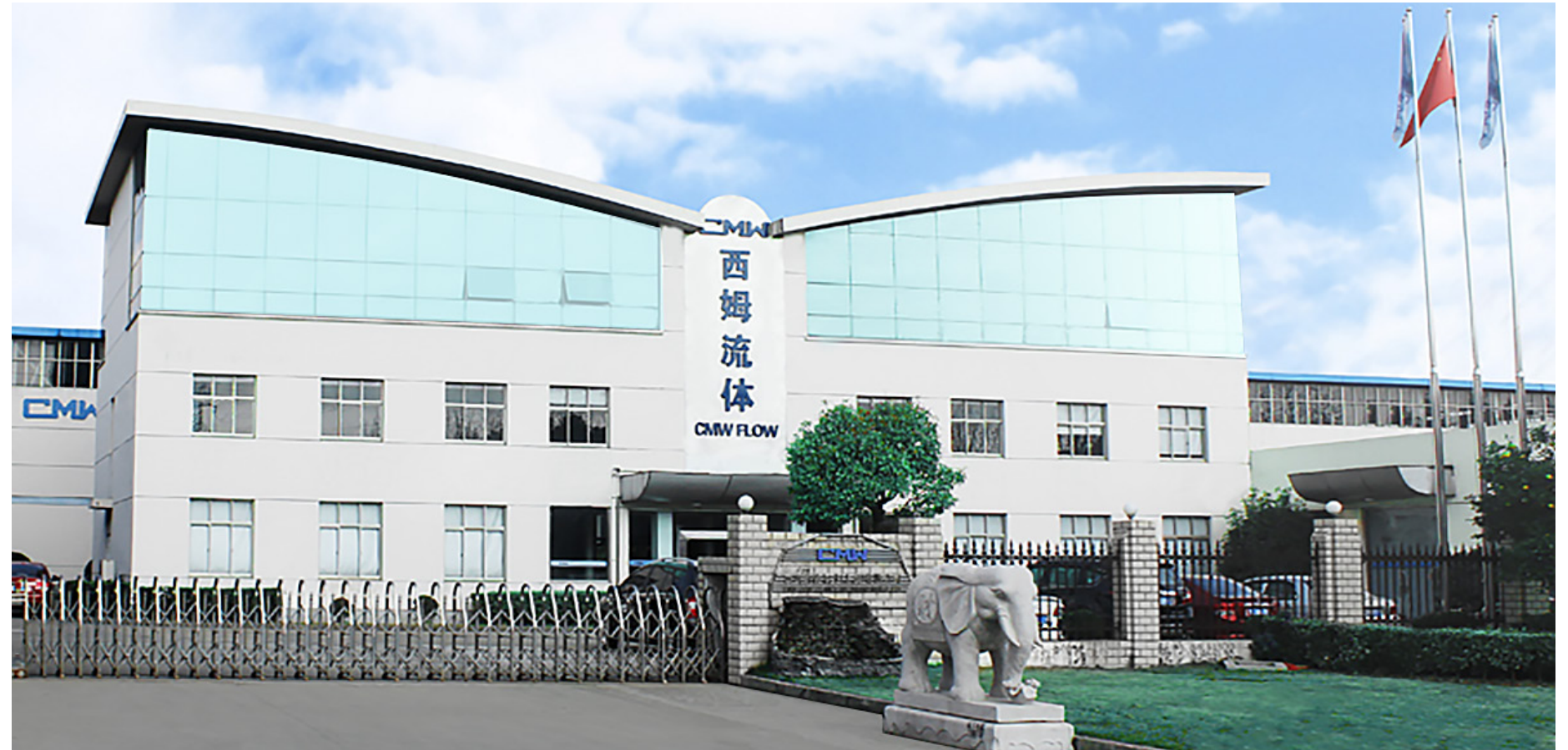
企业介绍

CMW Flow Technology (Shanghai) Co., Ltd. (Hereinafter referred as CMW) is a wholly foreign-owned enterprise specialized in producing high-level automatic control valves. The R&D center of our company is located at the SEDAX design institute in Switzerland. The manufacturing center is located at Baoshan Urban Industrial Zone, Shanghai, China. Through many years of efforts and endless improvement, CMW has successfully obtained the API 6D certification, CE certification, TS manufacturing license and ISO14000 environmental protection certification, becoming a company shouldering historical missions and social responsibilities.

CMW is continuously developing the Chinese market. The products have been widely applied in marine oil field, petrochemical, chemical industry, metallurgy, power plant and other fields in China. The typical customers include: SINOPEC, CNOOC, Baosteel Group, Shandong Iron and Steel Group, Shenhua Group, et etc., and some products are exported abroad.

With an aim to realize maximum benefit of customers, CMW has established the strict service control system, so as to provide timely service for customers in strict accordance with our "service flow" and "service commitment" by forming the professional after-sales service team of experienced employees.

Looking forward the future, with China's economy keeping developing at a high speed, CMW is deeply aware that our company will achieve continued development and progress only through endlessly innovating, mastering core technology, continuously improving product and service quality and centering on customer demand. Permanently seeking to create value for customers.



西姆流体技术（上海）有限公司（以下简称 CWM）是一家专业生产高品质控制阀门的外商独资企业。我们的球研发中心位于著名的瑞士赛德克（SEDAX）设计所，可以同时为我们提供最新、最先进的产品和工艺，确保为您提供适应各种苛刻工况条件下的产品，同时提供备件服务，保运及检维修一体化的解决方案。我们力求在石油化工、天然气（LNG）、能源、电力、冶金、钢铁、制药，水处理等各个行业为客户提供高品质的产品和增值服务，协助您提高工作效率、降低运行成本和改善工作状况。

CMW 采用四位一体的 ERP、CRM、MES、OA 系统管理，可以保证您的订单严格按照流程执行，确保产品质量和交货期。

CMW 采用先进的设备为您加工产品的零部件，确保零部件的加工质量，独有的装配流水线，可以大幅提升产品组装效率。先进的检测设备确保了产品在制造过程中始终处于监控状态，确保客户的利益得到全面的保障。

CMW 在北京、上海、宁波、福建、山东、广东等地设有阀门工程维修服务中心，他们可以为客户提供及时的全方位一体化服务解决方案。

CMW 经过持续努力和创新，公司已通过 ISO9001 质量管理体系，ISO14001 环境管理体系、ISO18001 职业健康安全管理体系、功能安全认证 SIL3、美国石油协会 API 6D、欧盟 CE 安全等认证、ABS API 6FA 防火试验证书、取得中国 TS 特种设备 A1 级制造许可证，荣获上海市高新技术企业，成为一家肩负历史使命和承担社会责任的公司。

CMW 期待与您的合作过程中，为您创造更大的价值。

中华人民共和国
特种设备制造许可证
Manufacture License of Special Equipment
People's Republic of China
(压力管道元件)
编号: TS271042F-2019

单位名称: 西姆流体技术(上海)有限公司
制造地址: 上海市宝山区城市工业园区山连路 79 号

经审查, 获准从事下列压力管道元件的制造:

级别	类别	品种	备注
A1、A2 (1)、B1、B2 级	压力管道阀门	金属阀门	蝶阀、球阀、闸阀、截止阀
A1 (2)、A2 (1)、B1、B2 级		非金属阀门	衬里球阀、球阀、蝶阀

审批机关: 国家质量监督检验检疫总局
有效期至: 2019 年 11 月 6 日
发证日期: 2015 年 12 月 7 日
变更日期: 2018 年 2 月 11 日

国家质量监督检验检疫总局制

Manufacture License of Special Equipment
People's Republic of China

Certificate of Authority to use the Official API Monogram
License Number: 6D-0076

The American Petroleum Institute hereby grants to
CMW FLOW TECHNOLOGY (SHANGHAI) CO., LTD
No. 79 Shanlian Road
Baoshan Urban Industry Park
Shanghai, Shanghai Municipality
People's Republic of China

the right to use the Official API Monogram on manufactured products under the conditions in the official publications of the American Petroleum Institute entitled API Spec Q17 and API-6D and in accordance with the program of the License Agreement.

In all cases where the Official API Monogram is applied, the API Monogram shall be used in conjunction with this certificate number 6D-0076.

The American Petroleum Institute retains the right to revoke this authorization to use the Official API Monogram for any reason satisfactory to the Board of Directors of the American Petroleum Institute.
The scope of this license includes the following: Ball Valves

QMS Exclusion: Servicing

Effective Date: MAY 9, 2017
Expiration Date: MAY 9, 2020

To verify the authenticity of this license, go to www.api.org/monogram.

American Petroleum Institute

Certificate of Authority to use the Official API Monogram License Number 6D-0076

DNV-GL
FULL QUALITY ASSURANCE CERTIFICATE

Contract No. 2015-2017-02-001-AC/00000
The certificate number of 3 pages

This is to certify that the quality system of
CMW FLOW TECHNOLOGY (SHANGHAI) CO., LTD.
No. 79, Shanlian Road, Baoshan Urban Industry Park, Baoshan District, Shanghai, P. R. China

has been assessed and found to comply with respect to the conformity assessment procedures prescribed in:
ANNEX III MODULE H OF DIRECTIVE 2014/68/EU ON PRESSURE EQUIPMENT

This certificate is valid for the following scope:
Type of Pressure Equipment: Pressure Accessory
Product Name: Ball Valves

ACCREDITED TO
DIN EN ISO 9001
DNV-GL Business Assurance Data
B.A.2

Issue Period: 2016-09-19

Page 1 of 1

Full Quality Assurance Certificate

高新技术企业
证书

企业名称: 西姆流体技术(上海)有限公司
证书编号: GR201531001372
发证时间: 2015年10月30日
有效期: 三年

批准机关:
上海市科学技术委员会
上海市知识产权局
上海市发展和改革委员会

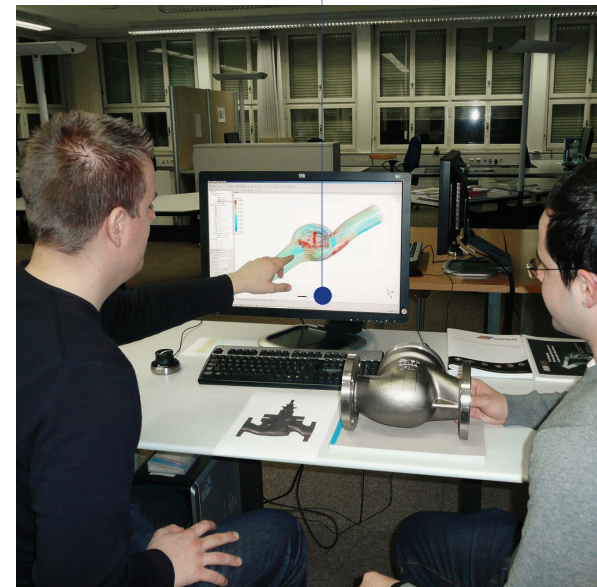
High Technology Expertise

COMPANY INTRODUCTION

生产制造

CMW has strong production capacity. The advanced machining and manufacturing technologies and equipment are adopted to ensure the machining quality of the parts. The excellent assembly support equipment can greatly improve the product assembly efficiency and product acceptance rate.

拥有强大的生产制造能力，采用先进的加工制造技术和设备确保零部件的加工质量。专业的装配辅助设部，可以大幅提升产品组装效率和产品的合格率。



COMPANY CAPABILITY

管理模式

CMW adopts the advanced system management mode to ensure that your orders can be implemented accurately and promptly. CMW has strong research and development capacity. By relying on the latest research results of SEDAX, the company keeps weeding through the old and bringing forth the new to serve customers with the best products that are customized according to customer requirements.

CMW 采用先进的系统管理模式，确保您的定单准确、迅速的得到执行。CMW 拥有强大的研发能力，公司依靠 SEDAX 的最新研究成果不断推陈出新，按照客户的要求量身定做，将最好的产品奉献给广大用户。

EXAMINING AND REPAIRING SERVICE

检维修服务

CMW valve maintenance engineering department is dedicated to control valve repair and maintenance job on request. Based on the advantages of the control valve manufacturer and process application knowledge, we enjoy high reputation in the industries, especially for the imported valves. Group company has obtained the Masoneilan valve MARC certification

CMW 公司设有“阀门检维修工程部”，对外承接各类阀门的维保项目，基于阀门制造企业的优势，能为用户提供良好的贴身技术服务，尤其在一些进口阀门的检维修方面，积累了丰富的项目经验。公司取得梅索尼兰阀门检维修 MARC 认证。

COMPANY CAPABILITY

品质可追溯

The advanced inspection equipment of CMW has ensured that the products are fully inspected and monitored during the whole process of production, and the traceability of the whole process is ensured . So that customer benefits are completely guaranteed.

先进的检测设备确保了产品在生产的过程中受到全方位的检测、监控，保证产品质量的可追溯性，使用户的利益得到全面的保障。

PRODUCT CONTENTS

产品目录

06

S1000 Self-actuated Valves
S1000 自力式调节阀

15

Q3000 Ball Valves
Q3000 球阀系列

07

C2000 Unbalance Type Control Valves
C2000 非平衡式调节阀

16

V3000 V-Ball Valves
V3000 V型球阀系列

09

C4000 Balance Type Control Valves
C4000 平衡式调节阀

17

C5000 Eccentric Rotary Valves
C5000 偏心旋转阀

11

C3000 3-Way Control Valves
C3000 三通调节阀

18

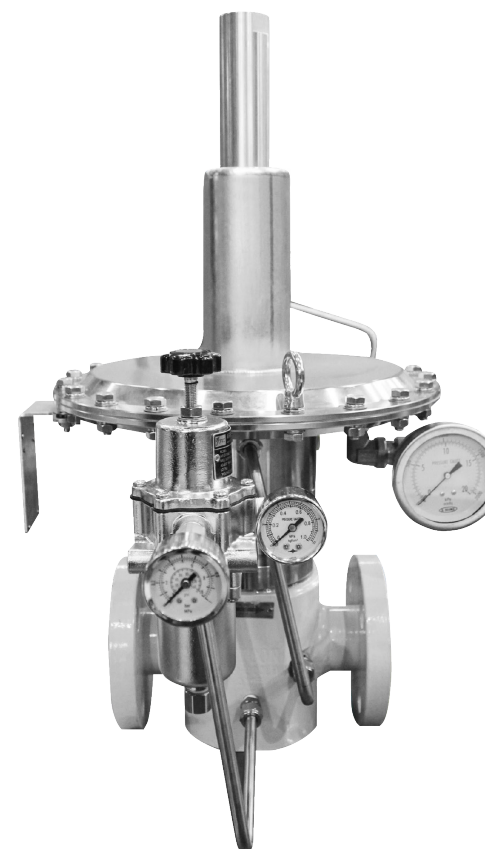
G7000 Gate Valves
G7000 闸阀系列

13

W3000 Butterfly Valves
W3000 蝶阀系列

19

C8000 Desuperheater
C8000 减温减压器



S1000 SELF-ACTUATED VALVES

S1100 Series Self-actuated pressure regulator valves, automatically regulate the normal pressure before or after the valve.
S1200 Series Self-actuated micro-pressure regulator valves, automatically regulate the micro-pressure before or after the valve. S1300 Series Blanket gas regulator is one of the principal components typically installed on a storage tank to protect the tank and its contents.
S1400 Differential Pressure Regulator Valve consists of a valve with a balanced plug and closing cylinder with an operating piston. It is designed to maintain the differential pressure between the high-pressure and low-pressure pipes at the adjusted set point. The valve closes when the differential pressure rises.

APPLICATION

- Refineries
- Chemical & Petrochemical Plant
- Liquid Bulk Storage Terminals
- Pulp & Paper Plants
- Food & Beverage Storage

FEATURES

- Fully Balanced Pilot operated design
- Pilot Control
- Internal/External
- Highly Sensitive
- Fully Field Serviceable

PERFORMANCE

- Very Tight Operating Band
- Bubble Tight Shut off
- Quick Changed Trim for Easy Maintenance
- Set Pressure is field adjustable

DESIGN FLEXIBILITY

- Angled or In-Line Body Option
- Optional flow plugs to meet specific flow requirements
- System purge and field test capability available

STANDARD SPECIFICATION

标准规格

Size 尺寸	3/4" to 12" (DN20 - DN300)
Size Pressure Rating 压力等级	ANSI 150Lb to 600Lb PN10 to PN100
Seat leakage 泄露等级	ANSI Class IV, V, VI
Characteristic 流量特性	Liner, EQ-%, Quick-Open
CV Range 额定 CV 范围	0.02 to 1300
Temperature range 温度范围	常规 Normal $\leq 120^\circ\text{C}$ 加冷凝器 With condenser $\leq 350^\circ\text{C}$
Material 材料	WCB, WCC CF8, CF8M, CF3, CF3M WC6, WC9, C12A et etc..
End connection 连接端	NPT (BSFF), RF/FF/FM/RTJ

S1000 自力式调节阀

S1100 系列自力调节阀，用于常压介质的阀前、阀后压力调节和稳定。
S1200 系列自力式微压调节阀，用于微压介质的阀前、阀后压力调节和稳定。
S1300 系列氮封调节阀是一种典型的部件安装在储气罐用于保护罐体的元件。
S1400 差压调节阀包含一个带平衡式阀芯的阀门，活塞式的闭合气缸。能确保在管道可调节节点能获得一定的压差。当压差升高，阀门关闭。

应用

- 炼油厂
- 化工 & 石化
- 液态储气终端
- 纸浆 & 造纸
- 食品饮料储存

特性

- 全平衡先导式设计
- 先导式控制
- 内置 / 外置式
- 高灵敏度
- 多领域通用

性能

- 紧密的工作区间
- 关闭紧密性
- 阀内件可迅速更换
- 现场压力调节可变

设计灵活性

- 角式或者直通式阀体
- 特殊流体工况阀芯可选
- 系统净化和负载测试



C2000 UNBALANCE TYPE CONTROL VALVES

The C2000 series single seated valve is developed for wide variety application on liquid, steam and gas. The construction of this range of valves is of a simple form but it has a design which in itself allows special applications. The C2000 series valve provides reliable performance and cost effectiveness that will surely satisfy your control requirements.

APPLICATION

- Tight Shutoff
- Stable Operation
- Excellent flow control rangeability

PERFORMANCE

- Multi trim sizes available
- Full range of body and trim material options
- Full range of bonnet and packing designs to suit various temperatures and fluids

DESIGN FLEXIBILITY

- Quick changed trim for Easy Maintenance
- Large diameter stems for stable Operation
- Streamlined valve body design, variety of unbalanced plug design Maintenance

C2000 非平衡式调节阀

C2000 系列非平衡型单座阀被广泛开发应用于液态、蒸汽和气态介质上。此系列阀门结构简单、性能可靠、通用性强、经济高效，可适用于绝大部分场合，是各种工况流体控制的理想选择。

性能

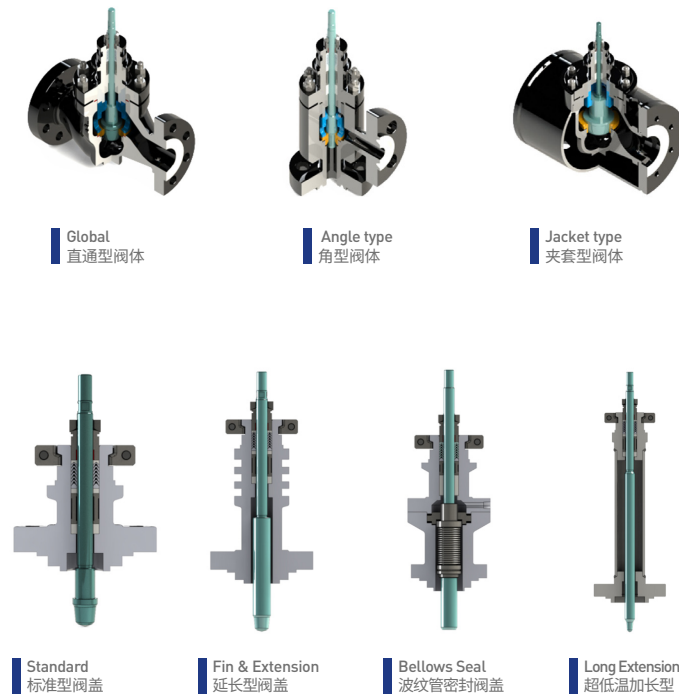
- 紧密关闭
- 稳定运行
- 超大的流量可调范围

设计灵活性

- 多种缩径阀芯可供选择
- 齐全的阀体和阀内件材料选择
- 适应不同温度和流体的阀盖和填料设计

设计完整性

- 快换式阀座设计，易于维护
- 重荷型顶部导向，稳定运行
- 流线型阀体设计，多种非平衡式阀芯设计



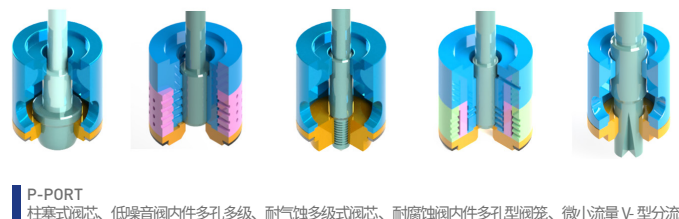
STANDARD BODY SPECIFICATION
标准阀体规格

Body Style 阀体型式	Global, Angle type, Jacket type 直通型、角型、夹套型
BONNET STYLE 阀盖型式	Standard, Fin & Extension, Bellows Seal, Long Extension [Cryogenic Service] 标准型、延长型、波纹管密封型、超低温加长型
Size 尺寸范围	1/2" - 6" (DN15-DN150)
Pressure rating 压力等级	ANSI 150Lb - 2500Lb PN20 - PN420
Temperature Range 温度范围	-196 - +565°C
End connection 连接方式	RF/RTJ/BW/SW/THD
Materials 阀体材料	Carbon Steel (WCB, WCC, A105) Chrome-moly Steel (WC6, WC9, C12A, F11, F22, F91) Stainless Steel (CF8, CF8M, CF3, CF3M, F304, F304L, F316, F316L) Duplex Stainless Steel, Monel, Al Bronz, Inconel 625 Hastelloy B/C, Other Alloy
Actuator 执行器	Pneumatic Diaphragm, Pneumatic Cylinder, Electric Motor, Electro-Hydraulic 气动薄膜式、气缸式、电动执行机构、电液执行机构



STANDARD TRIM SPECIFICATION
标准阀内件规格

Size range 尺寸范围	1/8" - 6" (DN3 - DN150)
Trim Style 阀内件型式	P-PORT, V-NOTCH, WINDOW, Multi-Holes 1/2/3-stages, Multi-Step, Disk stack, Disk Stack + Drilled Hole Cage 柱塞式阀芯、微小流量阀芯、窗口式、多级钻孔降噪抗气蚀、阶梯式阀芯抗气蚀型、迷宫叠片式、混合型
CV Range 额定 CV 范围	0.02 to 1300
Characteristic 流量特性	常规 Normal κ 120 °C 加冷凝器 With condenser κ 350 °C
Seat leakage 泄露等级	ANSI Class IV/VI
Trim Material 阀内件材料	316 SS, 316 SS + Stellite #6 Hardend 410 SS/440C SS 17-4PH, F22 (Nitride treatment), F51 Inconel 718, XM19 Solid Tungsten Carbided Etc..





C4000 BALANCE TYPE CONTROL VALVES

The C4000 series cage-guided valve is specially designed using the most recent refinements in control valve technology. It is used to control a wide variety of relatively clean liquids and gases at high-pressure differentials. The design of the C4000 series valve have a quick change design so it guarantees convenient repair and easy replacement of trim.

APPLICATION

- High Flow Capacity
- Tight Shutoff
- Stable Operation
- Excellent flow control range-ability

PERFORMANCE

- Body same as C2000, can quick change trim on site
- Full range of body and trim material options
- Full range of bonnet and packing designs to suit various temperatures and fluids

DESIGN FLEXIBILITY

- Quick changed trim for Easy Maintenance
- Heavy duty top guiding with no bottom guide to obstruct seat bore and potentially trap debris.
- Balance plug design, reduce the required actuator thrust

C4000 平衡式调节阀

C4000 系列平衡式调节阀专门设计应用了最优化阀门过程控制技术。此系列阀门结构紧凑，阀芯部分采用笼式导向，抗震性好，采用多种材料的密封环，可满足多种泄露等级。是高容量、高压差及其他严酷工况流体控制的理想选择。

性能

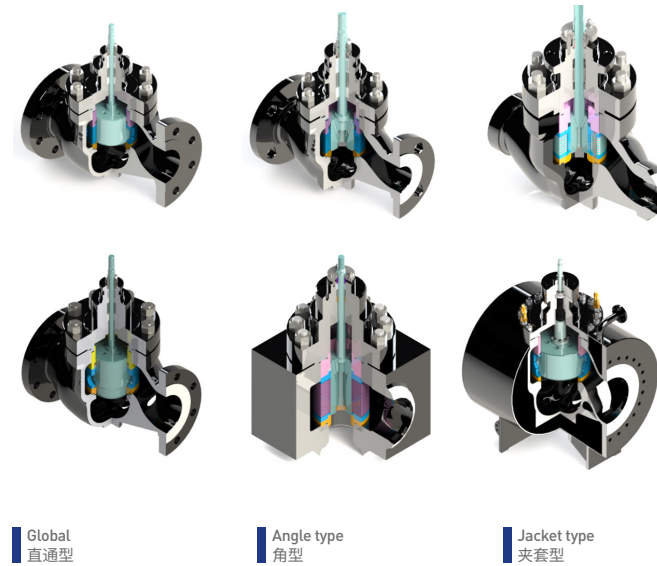
- 高容量
- 紧密关闭
- 稳定运行
- 超大的流量可调范围

设计灵活性

- 阀体与 C2000 完全通用，可现场更换阀内组件
- 齐全的阀体和阀内件材料选择
- 适应不同温度和介质的多种阀盖和填料设计

设计完整性

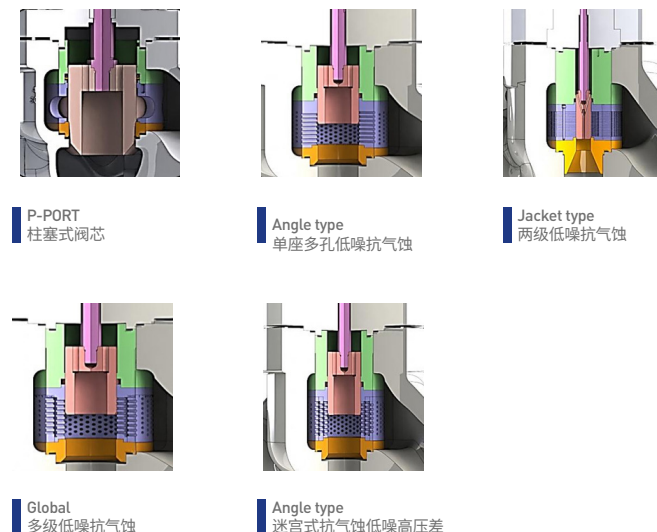
- 快换式阀座设计，易于维护
- 大负荷笼式导向设计，运行稳定
- 平衡式阀芯设计，缩小执行机构推力



STANDARD BODY SPECIFICATION

标准阀体规格

Body Style 阀体型式	Global, Angle type, Jacket type 直通型、角型、夹套型
BONNET STYLE 阀盖型式	Standard, Fin & Extension, Bellows Seal, Long Extension [Cryogenic Service] 标准型、延长型、波纹管密封、超低温加长型
Size 尺寸范围	1 1/2"-24" (DN40-DN600)
Pressure rating 压力等级	ANSI 150Lb - 2500Lb PN20 - PN420
Temperature Range 温度范围	-196 - +565°C
End connection 连接方式	RF/RTJ/BW/SW
Materials 阀体材料	Carbon Steel (WCB, WCC, A105) Chrome-moly Steel (WC6, WC9, C12A, F11, F22, F91) Stainless Steel (CF8, CF8M, CF3, CF3M, F304, F304L, F316, F316L) Duplex Stainless Steel, Monel, Al Bronz, Inconel 625 Hastelloy B/C, Other Alloy
Actuator 执行器	Pneumatic Diaphragm, Pneumatic Cylinder, Electric Motor, Electro-Hydraulic 气动薄膜式、气缸式、电动执行机构、电液执行机构



STANDARD TRIM SPECIFICATION

标准阀内件规格

Size range 尺寸范围	1 1/2" - 24" (DN40 - DN600)
Trim Style 阀内件型式	P-POR, WINDOW, Multi-Holes 1/2/3-stages, Disk stack, Disk Stack + Drilled Hole Cage 柱塞式、窗口式、多级钻孔降噪抗气蚀、迷宫叠片式、混合型
CV Range 额定 CV 范围	12 - 6800
Characteristic 流量特性	Liner, EQ-%, Modified EQ-%, Quick Open
Seat leakage 泄露等级	ANSI Class IV/VI
Trim Material 阀内件材料	316 SS, 316 SS + Stellite #6 Hardness 410 SS/ 400C SS 17-4PH, F22(Nitride treatment), F51 Inconel 718, XM19 Solid Tungsten Carbide Etc.



C3000 3-WAY CONTROL VALVES

The C3000 Series valve is a three-way design of valve for use on blending two separate flows, by having two inlets and a common outlet port, or dividing a flow into two proportional parts by having one common inlet and two outlet ports. This range of valves has been designed in three forms designated C3100, C3200 and C3300, the C3100 and C3300 conventional type is to provide an economic solution for all mixing and selected diverting services. C3200 is specially designed for high duty diverting service applications.

FEATURES

- High capacity
Broad and streamlined fluid passage can pass larger amount of fluid than other 3-way valves of the same size.
- Stable Operation
Port and cage guiding makes the operation of the plug stable regardless of plug travel.
- Durability
Rugged structure and smooth operation guarantee a long maintenance-free service life.

FLEXIBILITY

Various body and trim types provide design versatility for your needs

- C3100 Series
This configuration features an unbalanced plug for simple maintenance and economical installation. Designed with two side and one bottom pipeline connections.
- C3200 Series
This configuration uses a balanced plug design, to minimize the actuator forces and provide stable control in large valve sizes, with pneumatic actuators. Designed with two side and one bottom pipeline connections.
- C3300 Series
This design combines an unbalanced plug with a Top-Entry Quick Change Trim. Designed with two side and one top side pipeline connections.

C3000 三通调节阀

C3000 系列阀门是一种三通阀门设计，介质通过两个入口流入和一个公共出口流出，或者通过一个公共入口流入和两个出口流出。该系列阀门有 3 种形式，C3100, C3200 和 C3300。C3100 和 C3300 是标准产品，为所有合流和分流服务提供了一个经济的解决方案。C3200 是一种专门设计用于高负载分流服务的产品。

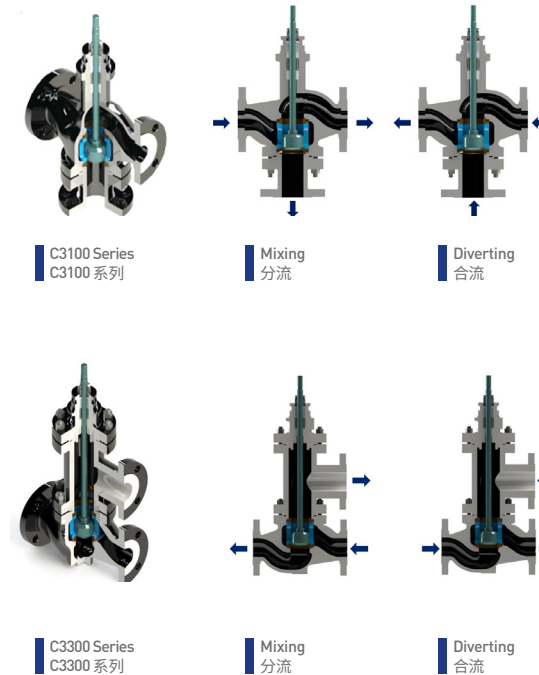
特点

- 大流量
宽且流线型的流道，能比其他相同尺寸三通阀通过更多流量的流体。
- 运行稳定
无论阀芯如何动作，顶部导向和笼式导向始终能使其稳定运行。
- 耐用性
牢固的结构和平稳的运行，保证其长时间无需维护。

灵活性

多种阀体和阀内件类型为您的需求提供设计多样性

- C3100 系列
此系列为非平衡阀芯、内置式阀盖设计，结构简单，易于维护。设计有两个侧面和一个底面与管道连接。
- C3200 系列
此系列为平衡型阀芯设计，最大限度的减小了执行机构推力。设计有两个侧面和一个底面与管道连接。
- C3300 系列
此系列为非平衡阀芯设计，结构简单，易于维护。设计有两个侧面和一个顶面与管道连接。



STANDARD BODY SPECIFICATION 标准规格

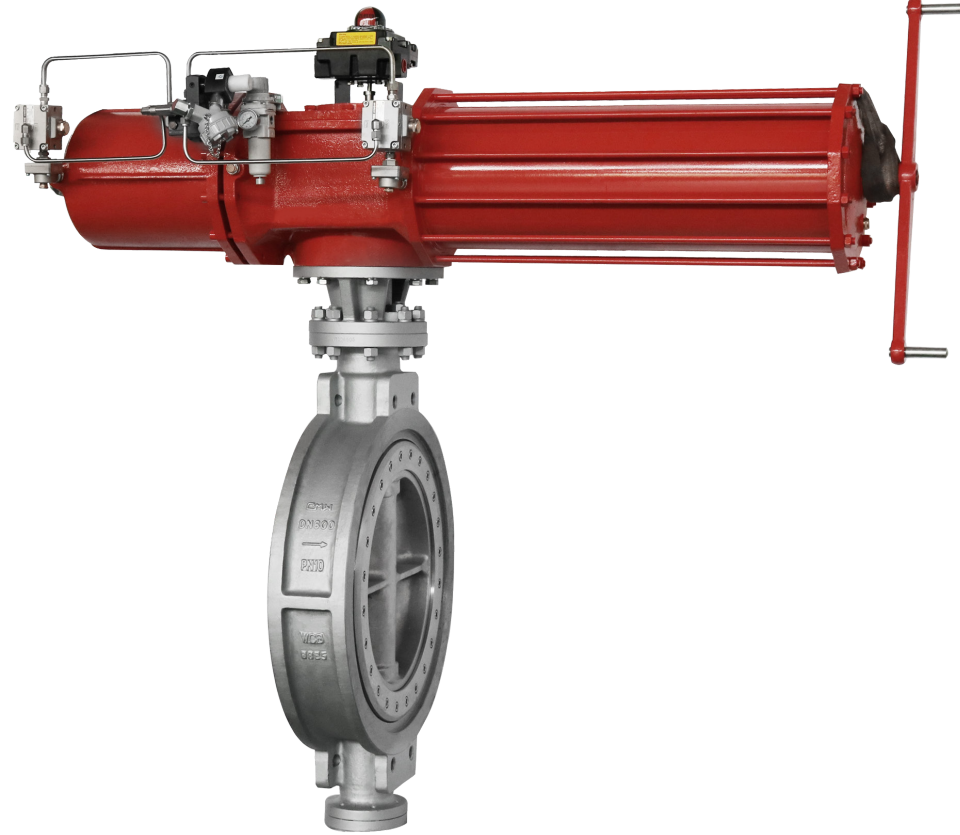
C3100 / C3300 Series Mixing/Diverting 3-Way Valve
C3100 / C3300 系列合流 / 分流三通阀

Body Style 阀体型式	BOTTOM FLANGED 3-WAY(C3100), TOP FLANGED 3-WAY(C3300) 底部法兰三通、顶部法兰三通
BONNET STYLE 阀盖型式	Standard, Extension, Bellows Seal 标准、延长型、波纹管型
Size 尺寸范围	Mixing: 1" - 12" (DN25-DN300), Diverting: 1" - 4" (DN25-DN100) 合流型、分流型
Pressure rating 压力等级	ANSI 150Lb - 300Lb
Temperature Range 温度范围	-50 °C - +565°C
End connection 连接方式	RF/RTJ/BW/SW
Materials 阀体材料	Carbon Steel (WCB, WCC), Chrome-moly Steel (WC6, WC9) Stainless Steel (CF8, CF8M, CF3, CF3M), Hastelloy B/C, et etc..
Actuator 执行器	Pneumatic Diaphragm, Pneumatic Cylinder, Electric Motor, Electro-Hydraulic 气动薄膜式、气缸式、电动执行机构、电液执行机构
Cv range 额定 Cv 范围	≤ 1800
Characteristic 流量特性	LINER, EQ-%, MODIFIED EQ-%, QUICK OPEN
Seat Leakage 泄漏等级	ANSI CLASS IV, V, VI
Trim Materials 阀内件材料	316 SS, 316 SS + STELLITE #6, HARDEND 410 SS / 440 C SS 17-4PH, F22 (NITRIDE TREATMENT), F51

STANDARD BODY SPECIFICATION 标准规格

C3200 Series Balanced Plug Type Diverting 3-Way Valve
C3200 系列平衡型阀芯分流三通阀

Body Style 阀体型式	BOTTOM FLANGED 3-WAY(C3100), 底部法兰三通
BONNET STYLE 阀盖型式	Standard, Extension, Bellows Seal 标准、延长型、波纹管型
Size 尺寸范围	3" - 12" (DN80-DN300)
Pressure rating 压力等级	ANSI 150Lb - 600Lb
Temperature Range 温度范围	-50 °C --+565 °C
End connection 连接方式	RF/RTJ/BW/SW
Materials 阀体材料	Carbon Steel (WCB, WCC), Chrome-moly Steel (WC6, WC9) Stainless Steel (CF8, CF8M, CF3, CF3M), Hastelloy B/C, et etc..
Actuator 执行器	Pneumatic Diaphragm, Pneumatic Cylinder, Electric Motor, Electro-Hydraulic 气动薄膜式、气缸式、电动执行机构、电液执行机构
Cv range 额定 Cv 范围	≤ 1500
Characteristic 流量特性	LINER, EQ-%, MODIFIED EQ-%, QUICK OPEN
Seat Leakage 泄漏等级	ANSI CLASS IV, V, VI
Trim Materials 阀内件材料	316 SS, 316 SS + STELLITE #6, HARDEND 410 SS / 440 C SS 17-4PH, F22 (NITRIDE TREATMENT), F51



W3000 BUTTERFLY VALVES

W3100/3200 triple-offset control butterfly valve is used for oil, chemical, metallurgy, electricity, food, medicine, water supply, gas transmission and other different pipes, as the equipments of regulate, cut off or connect to the fluid.

W3600 midline butterfly valve is usually used for water supply and gas pipeline of food, medicine, chemical, oil, electricity, textile, paper and etc., to regulate and cut off the flow.

W3700 Aeration butterfly valve is used for petroleum, chemical, metallurgical, power and other industries, as a device for flow control pipeline.

FEATURES

- Triple-offset design effectively reduce the friction between the seat and disc, greatly improving the valve life.
- Through the external drive device, the seal is more reliable than the traditional butterfly valve.
- Self-locking function when it is closed, excellent seal performance under high temperature and low temperature state.

W3000 蝶阀系列

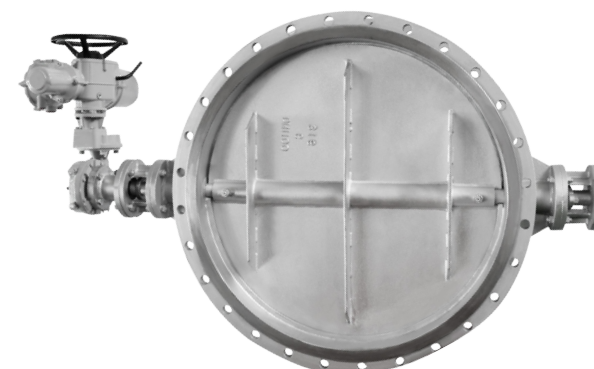
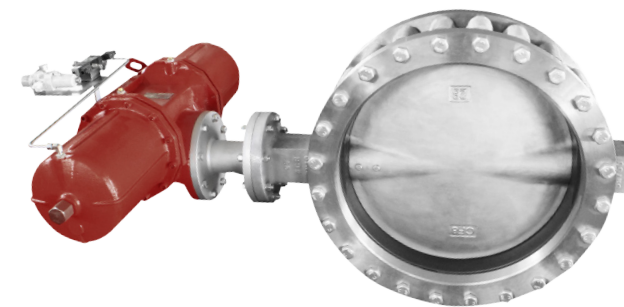
W3100/3200 三偏心系列控制蝶阀适用于石油、化工、冶金、电力、食品、医药、给排水、气体输送等不同介质的管路上，作为调节流量、截断或接通流体的设备。

W3600 中线蝶阀通常用于食品、医药、化工、石油、电力、轻纺、造纸等给排水、气体管道上作调节流量和截断流体的作用。

W3700 通风蝶阀应用于石油、化工、冶金、电力等行业中，作为调节流量的管道控制装置。

特点

- 三偏心设计有效降低阀座和阀板摩擦力，大大提高阀门使用寿命。
- 通过驱动装置外加力矩密封比传统蝶阀密封可靠性更强。
- 密封到位后形成自锁功能，在高温和低温状态具有优良的密封性能。



STANDARD BODY SPECIFICATION

标准规格

W3100/3200 TRIPLE-OFFSET BUTTERFLY VALVE
W3100/3200 三偏心蝶阀

Size range 尺寸范围	3" - 96" [DN80- DN2400]
Pressure rating 压力等级	ANSI 150Lb - 1500Lb
Seat Leakage 泄漏等级	ANSI Class V, ANSI Class VI
Cv range 额定 Cv 范围	110 - 600,000
Temperature Range 温度范围	-196 °C - +565 °C
End connection 端部连接	RF/RTJ /LUGGED/WAFER/BW
Materials 阀体材料	Carbon steel(WCB,WCC), Stainless steel(CF8,CF8M,CF3,CF3M) Chrome-moly(WC6,WC9,C12A), et etc..
Actuator 执行器	Pneumatic Cylinder, Electric Motor, Electro-Hydraulic 气缸式、电动执行机构、电液执行机构

STANDARD BODY SPECIFICATION

标准规格

W3600 MIDLINE BUTTERFLY VALVE
W3600 中线蝶阀

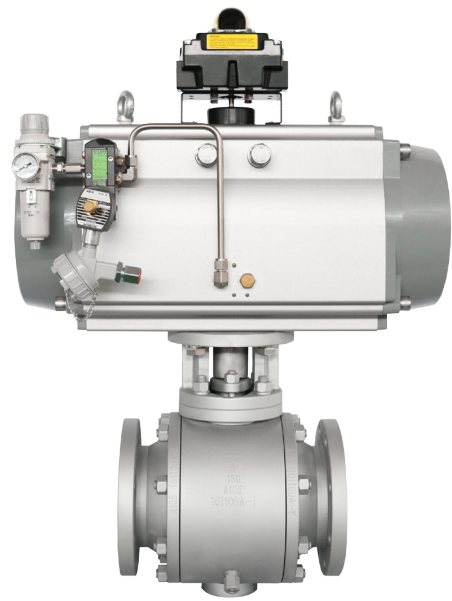
Size range 尺寸范围	2" - 24" [DN50- DN600]
Pressure rating 压力等级	ANSI 150Lb /PN6~PN16
Seat Leakage 泄漏等级	ANSI Class VI
Cv range 额定 Cv 范围	190-20000
Temperature Range 温度范围	-29 °C - +230 °C
End connection 端部连接	RF /LUGGED/WAFER
Materials 阀体材料	Gray cast iron, ductile iron, cast steel, stainless steel et etc.. 灰铸铁、球墨铸铁、铸钢、不锈钢等
Seal materials 阀座密封材料	Rubber and PTFE et etc.. 橡胶或聚四氟乙烯等
Actuator 执行器	Pneumatic Cylinder, Electric Motor, Electro-Hydraulic 气缸式、电动执行机构、电液执行机构

STANDARD BODY SPECIFICATION

标准规格

W3700 AERATION BUTTERFLY VALVE
W3700 通风蝶阀

Size range 尺寸范围	12" - 112" [DN300- DN2800]
Pressure rating 压力等级	PN0.5 PN2.5 PN6
Cv range 额定 Cv 范围	110 - 600,000
Temperature Range 温度范围	≤ +565 °C
End connection 端部连接	RF FLANGED
Materials 阀体材料	Carbon steel, stainless steel, nickel chromium molybdenum, chromium molybdenum steel etc 碳钢、不锈钢、铬钼镍钢、铬钼钛钢等
Actuator 执行器	Pneumatic Cylinder, Electric Motor, Electro-Hydraulic 气缸式、电动执行机构、电液执行机构

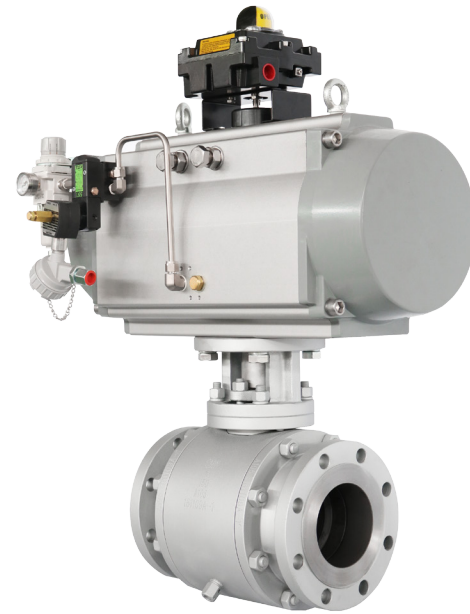
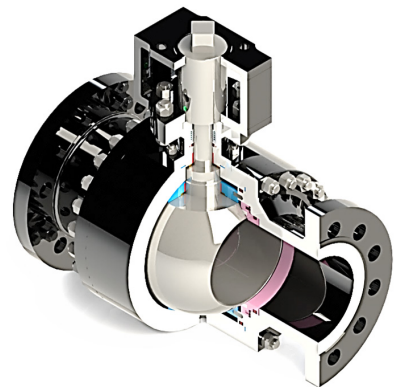


Q3000 BALL VALVES

Q3100/Q3200 Series soft & metal seated ball valve is used for oil, chemicals, metallurgy, power plants and other conditions of the pipeline, to achieve the flow connected and cut off function. With remote control and local operation function.

FEATURES

- Low fluid resistance
- Open and close quickly
- Strong ability to transport high viscous fluid, slurry
- Anti-static/fire function
- Wide range of applicable pressure and temperature



Q3000 球阀系列

Q3100/Q3200 系列软、硬密封球阀适用于石油、化工、冶金、电站等各种工况管路，实现对介质的接通和切断功能。具有远距离控制和就地操作功能。

特点

- 流体阻力小
- 启闭迅速
- 流通能力强，可输送粘性较高流体、浆液
- 防静电 / 防火功能
- 适用压力与温度范围广

STANDARD BODY SPECIFICATION

标准规格

Fixed/Float Ball
固定 / 浮动球阀

Size range 尺寸范围	1" - 24" (DN25 - DN600)
Pressure rating 压力等级	ANSI 150Lb - 2500Lb
Seat Leakage 泄漏等级	ANSI Class IV /V/VI
Cv range 额定 Cv 范围	55 to 113,400
Temperature Range 温度范围	-196 °C - +565°C
End connection 端部连接	RF/RTJ /SW/BW
Materials 阀体材料	Carbon steel(WCB,WCC), Stainless steel(CF8,CF8M,CF3,CF3M) Chrome-moly(WC6,WC9,C12A), et etc..
Actuator 执行器	Pneumatic Cylinder, Electric Motor, Electro-Hydraulic 气缸式、电动执行机构、电液执行机构

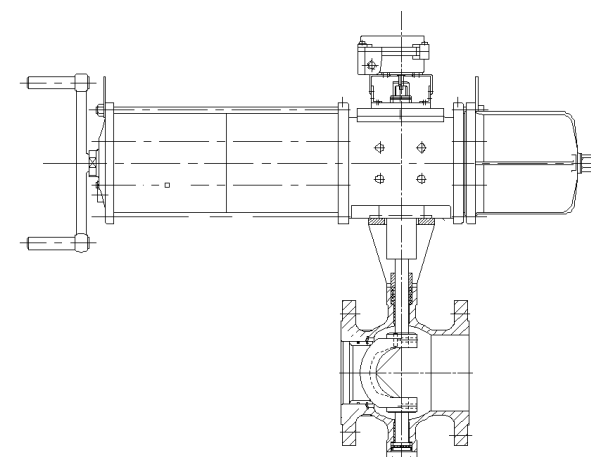


V3000 V-BALL VALVES

V3000 series V-type ball valve can be used as a control valve, and can also be used as a cut-off valve, suitable for pulp, fiber, mortar and high viscosity fluid conditions.

FEATURES

- Variety of seat design optional
- Self-cleaning function
- Single seat operation, low torque



V3000 V 型球阀系列

V3000 系列 V 型球阀既可作调节阀使用，也可以用作开关阀，适用于纸浆、纤维、砂浆和高粘度流体工况。

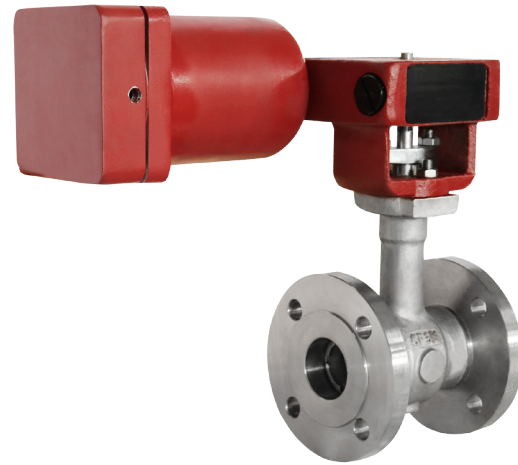
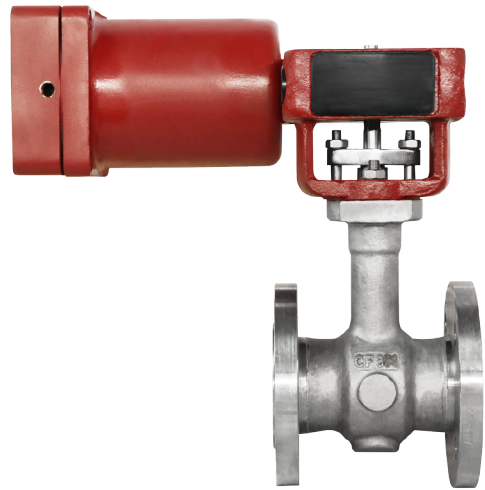
特点

- 多种阀座设计可选
- 自清洁功能
- 单阀座操作扭矩小

STANDARD BODY SPECIFICATION

标准规格

Size range 尺寸范围	1" - 20" (DN25 - DN500)
Pressure rating 压力等级	ANSI 150Lb - 600Lb
Seat Leakage 泄漏等级	ANSI Class IV /V/VI
Cv range 额定 Cv 范围	28 - 13000
Temperature Range 温度范围	-46°C TO +565°C
End connection 端部连接	RF/RTJ /LUGGED/WAFER/BW
Materials 阀体材料	Carbon steel(WCB,WCC), Stainless steel(CF8,CF8M,CF3,CF3M) Chrome-moly(WC6,WC9,C12A), et etc..
Actuator 执行器	Pneumatic Cylinder, Electric Motor, Electro-Hydraulic 气缸式、电动执行机构、电液执行机构

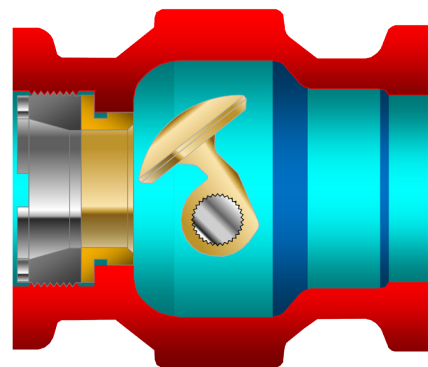


C5000 ECCENTRIC ROTARY VALVES

C5000 Series Eccentric Rotary Valve is used for the gas, liquid, slurries and etc..The eccentric valve plug reduce the wearing between the ball and the seat. It is easy cut off and has large rangeability.

FEATURES

- Low friction between the plug and seat, long life
- Strong circulation, good adjustment, high sealing level
- Suitable for large viscosity particles, fiber flow



C5000 偏心旋转阀

C5000 系列偏心旋转阀应用于气体、液体、浆料等介质。偏心旋转式阀芯，降低了对阀座的磨损，易于切断，大可调比调节。

特点

- 阀芯、阀座摩擦少，寿命长
- 流通能力强，调节精度好，密封等级高
- 适用粘度大含颗粒、纤维的介质

STANDARD BODY SPECIFICATION

标准规格

Size range 尺寸范围	1" - 12"(DN25 - DN300)
Pressure rating 压力等级	ANSI 150Lb - 900Lb
Seat Leakage 泄漏等级	ANSI Class IV/V/ VI
Cv range 额定 Cv 范围	2.8 - 6380
Temperature Range 温度范围	-46°C TO +565°C
End connection 端部连接	RF/RTJ /SW/BW
Materials 阀体材料	Carbon steel(WCB,WCC), Stainless steel(CF8,CF8M,CF3,CF3M) Chrome-moly(WC6,WC9,C12A), et etc..
Actuator 执行器	Pneumatic Cylinder, Electric Motor, Electro-Hydraulic 气缸式、电动执行机构、电液执行机构

G7000 GATE VALVES

G7000 Series Gate Valve is used for emergency cut off or discharge of gas and liquid pipeline. It can work safely and reliably under the conditions of high temperature, high pressure, riot, anti-corrosion et etc.. It is widely used in petroleum, chemical, metallurgical, oil pipeline, sewage treatment and other automatic control system.

FEATURES

- Low flow resistance, high circulation ability
- Low thrust when open and close
- Bidirectional, easy installation

G7000 闸阀系列

G7000 系列闸阀适用于气、液介质输送管道的紧急切断或排放，可以在高温、高压、防暴、防腐蚀等环境条件下安全可靠作业。广泛应用于石油、化工、冶金、输油管道、污水处理等自动控制系统。

特点

- 流动阻力小，流通能力强
- 启闭时较省力
- 介质可向两侧任意方向流动，易于安装



STANDARD BODY SPECIFICATION

标准规格

Size range 尺寸范围	2" - 48"(DN50 - DN1200)
Pressure rating 压力等级	ANSI 150Lb - 2500Lb
Seat Leakage 泄漏等级	ANSI Class V/VI
Temperature Range 温度范围	-196-565°C
Materials 阀体材料	Carbon steel(WCB,WCC), Stainless steel(CF8,CF8M,CF3,CF3M) v Chrome-moly(WC6,WC9,C12A), et etc..
Actuator 执行器	Pneumatic Cylinder, Electric Motor, Electro-Hydraulic 气缸式、电动执行机构、电液执行机构



STANDARD BODY SPECIFICATION

标准规格

Straight way & Angle body
直通 / 角型阀体

Size range 尺寸范围	3" - 24"(DN80-DN600)
Pressure rating 压力等级	ANSI 150Lb - 2500Lb PN10 - PN450
Seat Leakage 泄漏等级	ANSI Class IV /V
Cv range 额定 Cv 范围	70 - 4,560
Temperature Range 温度范围	≤ +565 °C
End connection 端部连接	RF/RTJ/BW
Materials 阀体材料	Carbon steel(WCB,WCC), Stainless steel(CF8,CF8M,CF3,CF3M) Chrome-moly(WC6,WC9,C12A), other alloys
Actuator 执行器	Pneumatic Diaphragm, Pneumatic Cylinder, Electric Motor, Electro-Hydraulic 气动薄膜式、气缸式、电动执行机构、电液执行机构

C8000 DESUPERHEATER

C8000 Desuperheater employ patented fluid flow conditioning technology and a unique nozzle arrangement, CMW's new and improved desuperheater station products easily meet today's most challenging steam conditioning applications.

PERFORMANCE

- High efficiency atomization
- High rangeability variable area spray unit
- Accurate and repeatable control of fluid temperature to within 6°C
- High spray water pressure capability

DESIGN FEATURES

- Wide variation of design options
- Wide range of available nozzle sizes
- Erosion resistant materials of construction
- Minimum number of components
- Low maintenance featured
- Fully rationalized
- Wide range of actuating mechanism available

C8000 减温减压器

C8000 减温减压器采用拥有专利的流体流量调节技术和独特的喷嘴布置，CMW 新改进后的减温器产品能容易的满足当今最具挑战性的蒸汽调节应用。

特点

- 高雾化效率
- 高量程可变面积喷涂装置
- 精确和重复控制流体温度在 6°C 之内
- 高喷水压力能力

设计特点

- 设计选项的宽泛化
- 喷嘴尺寸的多样化
- 耐腐蚀的材料
- 件数量最小化
- 低维修成本
- 设计充分合理化
- 多种执行机构可用



Certificate of Masoneilan valve MARC

EXAMINING AND REPAIRING SERVICE

CMW valve maintenance engineering department is dedicated to control valve repair and maintenance job on request. Based on the advantages of the control valve manufacturer and process application knowledge, we enjoy high reputation in the industries, especially for the imported valves. Group company has obtained the Masoneilan valve MARC certification.

VALVES EXAMINING AND REPAIRING ENGINEERING DEPARTMENT SERVICE SYSTEM

- Examining and repairing service: non-scheming and scheming
- Valves solutions, technical reconstruction
- Spare part service: process and localization, zero inventory and transportation
- Inspection & measurement service: Mechanical simulation, materials testing, performance test, pressure test, leakage test
- Transport assurance service

检维修服务

CMW 公司基于阀门制造企业的优势，设有“阀门维修工程部”，能为用户提供良好的贴身技术服务，对外承接各类阀门的维修和装置保运服务，公司取得梅索尼兰阀门检维修 MARC 认证。在一些进口阀门的检维修方面，积累了丰富的项目经验和业绩。

阀门检维修整体解决方案

- 检维修服务：非计划抢修及计划检修
- 阀门解决方案，技术改造
- 备品备件服务：备件加工及国产化，零库存及储运
- 检测服务：力学仿真、材料测试，性能测试，压力试验，泄漏试验
- 保运服务



CERTIFICATE 证书



Sitiias Evaluation Report
Number CSFS18.00121



Sitiias Evaluation Report
Number CSFS18.00091



Sitiias Evaluation Report
Number CSFS18.00101



Sitiias Evaluation Report
Number CSFS18.00131



Sitiias Evaluation Report
Number CSFS18.00111



ABS Consulting



Certificate of registration



Certificate of registration



Certificate of registration

LONG-TERM COOPERATIVE 部分长期合作伙伴





CMW reserves the right to change the content of this catalog without notice. For more information about CMW Flow Technology (Shanghai) Co., Ltd and its products, contact www.cmwflow.com or contact us through the following information.

Factory ADD:No. 79 Shantian Rd., Baoshan Urban Industry Park, Shanghai, China. 200444

TEL : 86-021-36161078 / 36161101

FAX : 86-021-3616108

EML : salecmw@smwflow.com

CMW 有权对本样本手册的内容进行修改而不另行通知，如若需要了解更多有关西姆流体技术(上海)有限公司和其产品，请登录网站 <http://www.cmwflow.com> 或者通过以下联系方式联系我们。

工厂地址：中国上海市宝山城市工业园区山连路 79 号

电话：86-021-36161078 / 36161101

传真：86-021-36161088

邮箱：salecmw@smwflow.com